

**medeco**<sup>®</sup>  
HIGH SECURITY CYLINDER  
MADE IN USA

### **AEROLITE BLACK**

is a new yet timeless ironmongery finish symbolized by its subtle luminosity. The distinct matte coating is derived from custom polish techniques resulting in morphed metal tones for light to dark conditions. It is the perfect complement to any door surface.



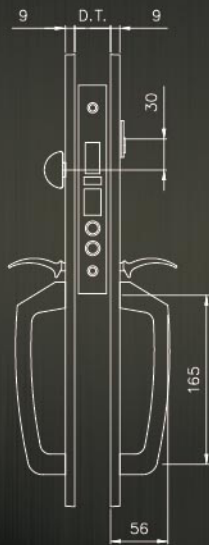
DUQ06



殞石黑鋼色

**AEROLITE**  
**BLACK**

# DUQ06



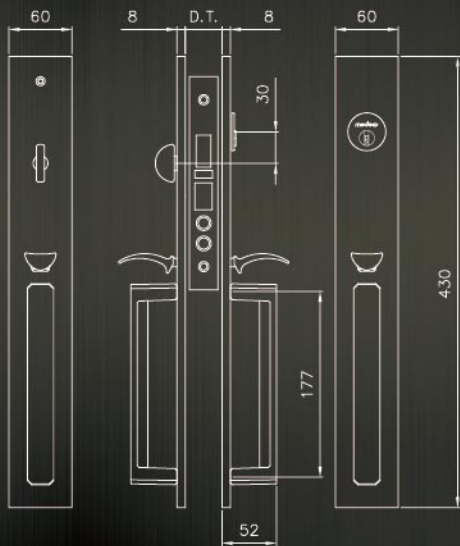
DN06

殞石黑銅色

**AEROLITE**  
**BLACK**



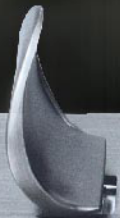
# DN06



DUO4

殞石黑鋼色  
**AEROLITE  
BLACK**

沙鋼色  
**NICKEL  
SATIN**



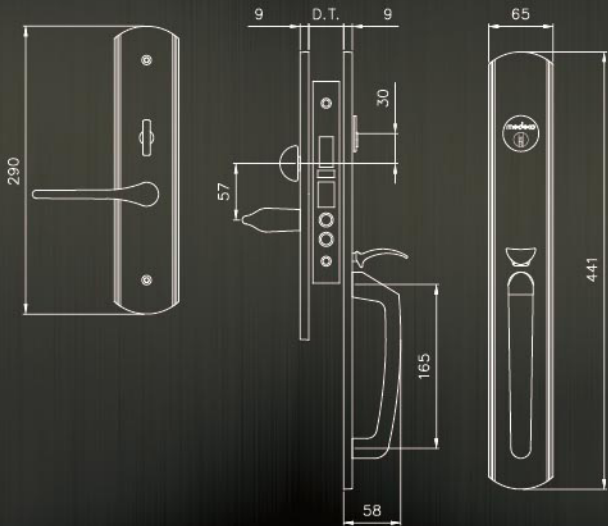


*Aerolite Black*  
殞石黑鋼色



*Nickel Satin*  
沙鋼色

# DUQ04





# Specification 規格

Finish Name 顏色	Aerolite Black 殞石黑鋼色	Nickel Satin 沙鋼色
U.S. Code (PLC)	US15AD (DBN)	US15 (SS)
DN06	✓	
DUQ06	✓	
DUQ04	✓	✓

## High Security Cylinder 高防盜鎖膽

1-1/4" (32mm) 螺絲膽 Z70

3匙 (m3) + 配匙卡

MED-10T0500Z70BN

MED-10T0500Z70SS (DUQ04\*SS)

## Door Thickness 門厚

48-51mm (>51mm, optional)

## Backset 鎖中尺寸

2-3/4" (70mm)



UL approval for fire test 3 hours



BS approval for fire test 1 hour

## Lockcase 鎖體

### HEAVY DUTY MORTISE LOCK

- Egress (Panic) function
- Major interior working parts are made of solid forged brass.
- Case and case cap are made of stainless steel.
- Lock hand is field reversible.

### C to C SPACING

- Knob hub to Cylinder 87mm
- Knob to Turn piece 57mm

### DEAD BOLT

- Forged brass, 30 (L) x 13 (W) x 25mm (throw) with two saw-proof hardened steel inserts.

### AUXILIARY LATCH

- Brass, simultaneously retracts with latch bolt.

### LATCH BOLT

- 25 (L) x 15 (W) x 17mm (T) throw in forged brass material with anti-friction trigger, reversible function.

### HUB

- Forged brass with two-way rotation broached on the octagon & diamond (8.0SQ/ 7.3D), one-way rotation on lever strength function.

### ARMORED FRONT

- Forged brass, 201 (L) x 31 (W) x 4mm (T)

### FACE PLATE

- Forged brass, 203 (L) x 32 (W) x 1.6mm (T)

### UNIVERSAL STRIKE

- Forged brass, 124 (L) x 32 (W) x 2mm (T)



US PATENT NO 6,477,875

\* Information herein subject to modifications without prior notice.





---

EXCLUSIVE DISTRIBUTOR: 總代理  THE PLC GROUP

Head office : Unit A-D 9/F Gemstar Tower 23 Man Lok Street Hunghom Kowloon Hong Kong

辦公室 : 香港九龍紅磡民樂街23號駿昇中心9樓A-D座

客戶服務熱線 C.S.Hotline : (852) 2765 9667 傳真 Fax : (852) 2330 2082

電郵 Email : [plc@plc.com.hk](mailto:plc@plc.com.hk) 網址 Website : [www.plc.com.hk](http://www.plc.com.hk)