

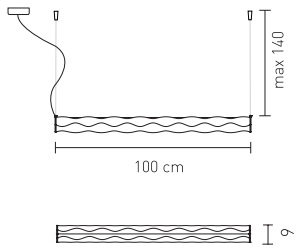
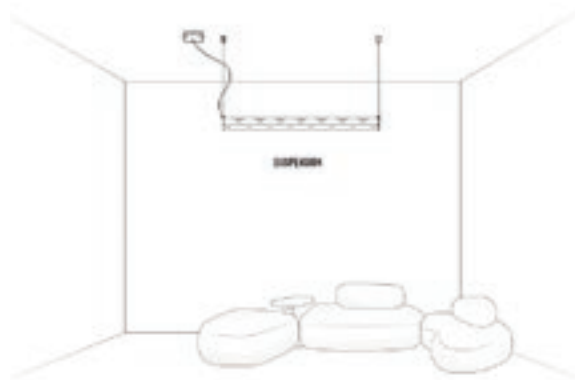


HUGO



design by Slamp Team

PRODUCT	SIZE	COLOUR	CODE
<p>SUSPENSION</p> <p>LED: 30W - 220V - 3000 Lumen 2700 Kelvin</p> <p>Made of: Lentiflex®</p> <p>Weight: net Kg 1,20 - gross Kg 1,65</p> <p>Package: 113 x 14 x h.14 cm</p> <p>CE IP 20  </p>		<p><input type="checkbox"/> PRISMA</p>	<p>HUG89SOS0000LE000</p>


HUGO ENTIRE COLLECTION



ENERGY CLASS

 This luminaire contains built-in LED lamps. LED 

The lamp cannot be changed in the luminaire.

SLAMP: HUGO  874/2012